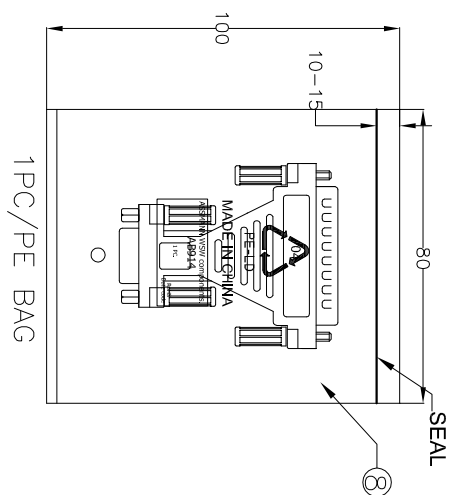


Electrical test:
 1. 100% short, open, miss wire test
 2. Conduct resistance: 2 Ohm(max)
 3. Insulation resistance: 5Mohm(min)
 4. Dielectric test: DC 300V

PIN ASSIGNMENT:



P1	P2
1	8
2	3
3	2
4	20
5	7
6	6
7	4
8	5
9	22
SHELL	SHELL

⑨	PE BAG	1/10	CLEAR SIZE: 170*250*0.05mm PRINT BLACK*MADE IN CHINA**+*10PCS*
⑧	PE BAG	1	CLEAR SIZE: 80*100*0.05mm PRINT BLACK*MADE IN CHINA**+*1PC*
⑦	NUT	2	UNT.#4-40UNC 4.75*5.9mm NICKEL PLATED
⑥	SCREW	4	THUMB SCERW #4-40UNC L21mm MOLD BEIGE(IV-29#)
⑤	OUT JACKET	30g	40P PVC BEIGE(IV-29#)
④	IN JACKET	7.8g	CLEAR LD-PE
③	CABLE	445mm	UL1007 26AWG COLOR BLACK L1=45mm*9PCS L2=50mm*1PCS.
②	CONN	1	DB25P MALE SOLDER TYPE PIN G/F, BLUE INSULATION SHELL-NICKEL,
①	CONN	1	DB9P FEMALE SOLDER TYPE G/F, BLUE INSULATION SHELL-NICKEL, SPECIFICATION
NO.	NAME	Q'TY	

RoHS compliant
 Unit: mm

1PC/PE BAG

Scale	Free					Date	Name	Customer-No.
TOLERANCE						20.02.2017	Amy	ASSMANN WSW-No.
						20.02.2017	Amy	AB914
								Drawing-No.
DIM	TOL							ASS 7868 CA
								rev00
Angle	TOL							Replace
		①	Drawn	Modification				Sheet



1 2 3 4 5 6 7

H G F E D C B A