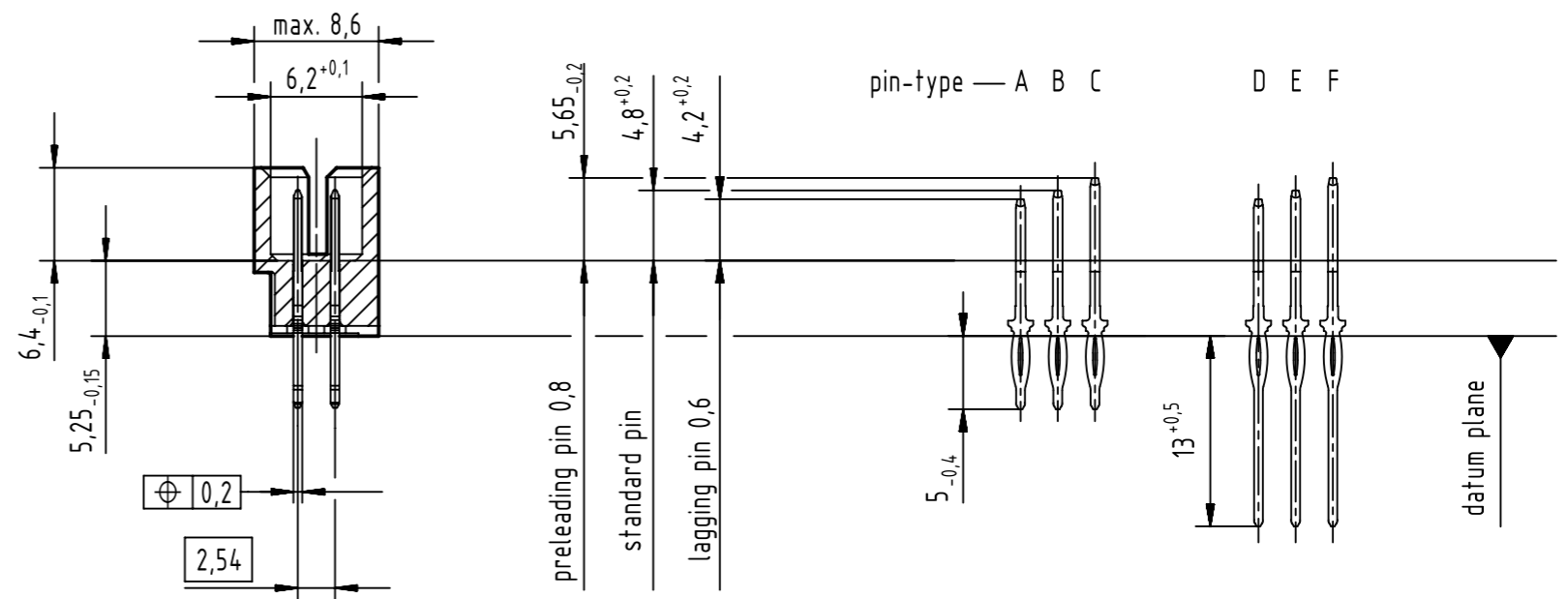
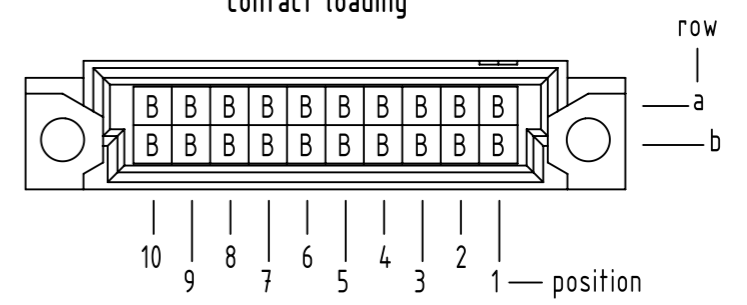


A-A (2:1)



B (2:1)

contact loading



1 recommended configuration of plated through holes and further information see: DS 09731100001

09751206904	2
part no.	performance level 1

	All rights reserved	Created by	Inspected by	Standardisation	Date	State
	Department EC PD - DE	HASELOH	JASCHKE	HOFFMANN	2013-11-22	Final Release
HARTING Electronics GmbH D-32339 Espelkamp		Title DIN Signal type 30 male press-in 5mm 20-pole		Doc-Key / ECM-Nr. 100223825/UGD/001/A 50000068802		Rev. A
		Type	Number			Page
		TB	0975120X904			1/1