

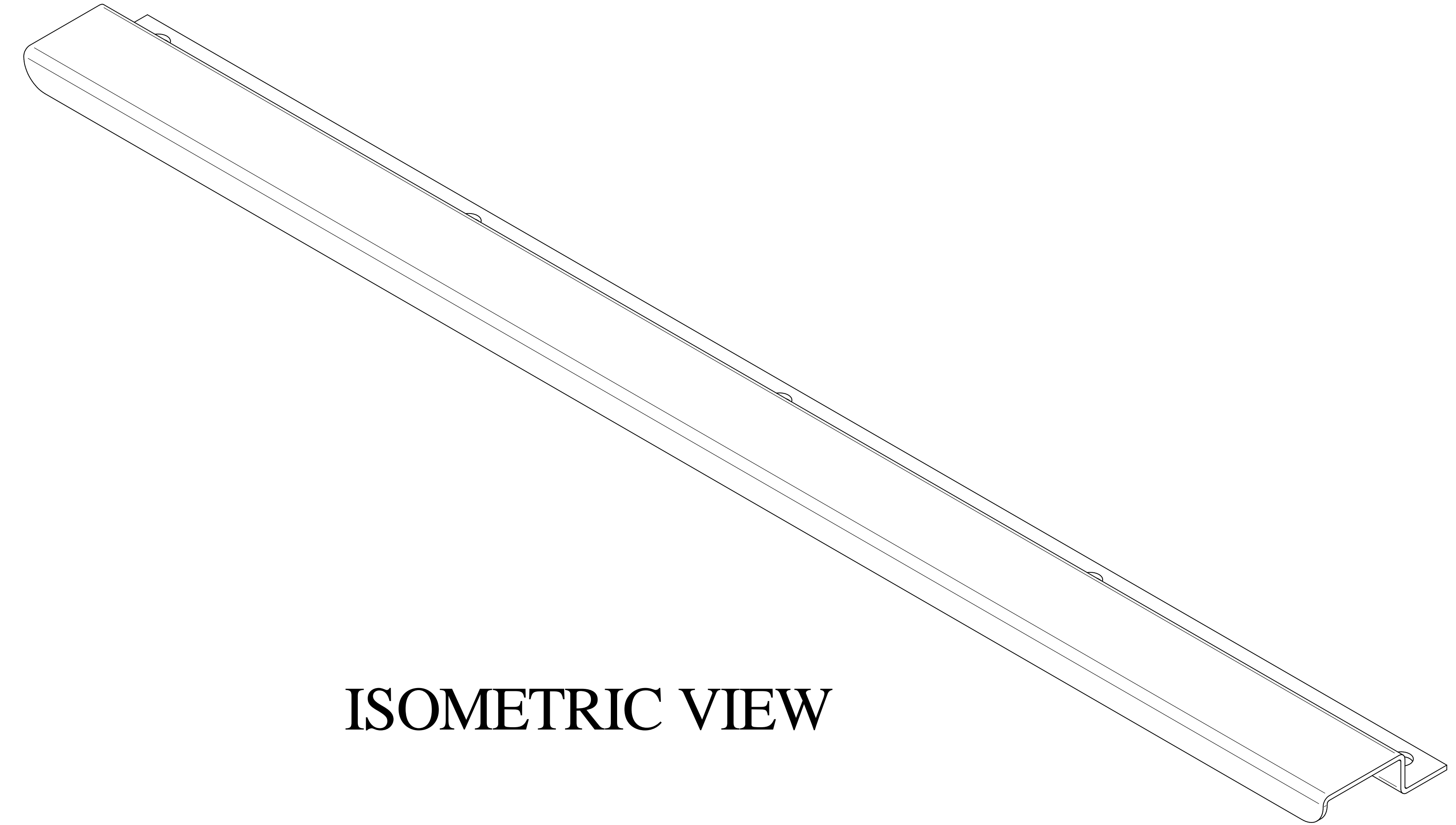
**PART No. DK24S16**

for more information visit

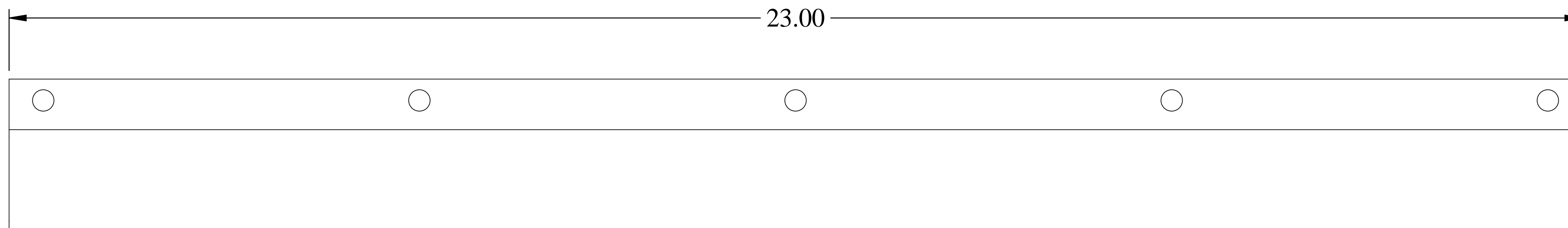
[www.hammfg.com](http://www.hammfg.com)

Data subject to change without notice

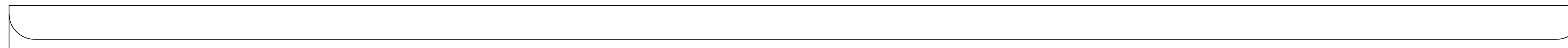
Isometric drawing Not to Scale



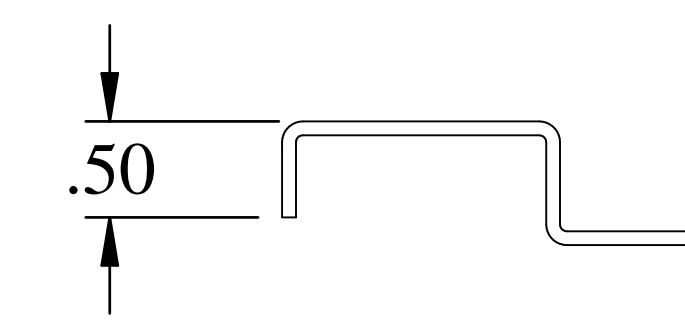
**ISOMETRIC VIEW**



**TOP VIEW**



**FRONT VIEW**



**SIDE VIEW**