

PART NAME: KNOB SCALE: 1:1 DATE: 1/8/64 DR. BY LSP

THIS DRAWING IS THE PROPERTY OF DAVIES MOLDING COMPANY, IS SUBMITTED SOLELY AS A DESIGN OR ENGINEERING PROJECT. WE ACCEPT NO RESPONSIBILITY WHATSOEVER FOR THE PRACTICAL APPLICATION OF THE PIECES MADE TO THIS DESIGN.



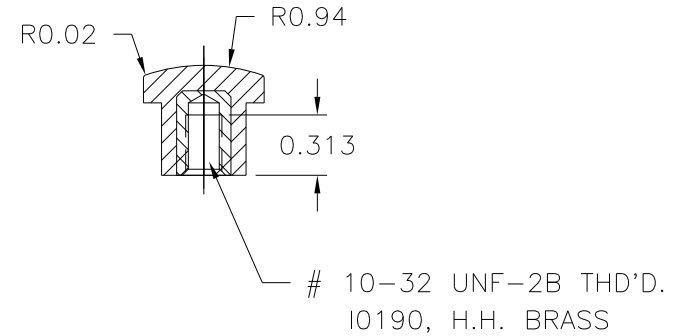
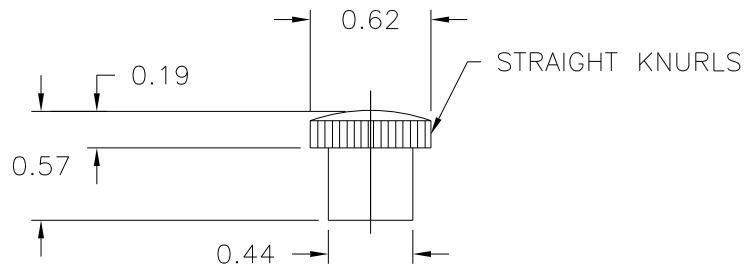
DESIGNERS & MANUFACTURERS OF KNOBS, HANDLES, CASES & CUSTOM PLASTIC COMPONENTS

P/N 2720

M NO. 2720

CAD/REDRAWN : 5/27/93 ; HD

| | |
|---------|----------|
| CAVITY | 2720 |
| PLUNGER | 2720 |
| PINS | 2720-1+2 |
| PIN PLT | 2720-A |
| INSERT | I0190 |



MATERIAL: G.P. PHENOLIC (B11)
COLOR: BLACK

| | | | | |
|---|-----------------------------------|---------|--|--|
| TOLERANCES: UNLESS OTHERWISE SPECIFIED | DO NOT SCALE DRAWING | | | |
| DECIMALS: X.XXX ± .005 X.XX ± .015 | MM: X.XX ± 0.15MM X.X ± 0.4MM | | | |
| FRACTIONS ± 1/64 | ANG. ± 1° | CHANGES | | |