

F

E

D

C

B

A

F

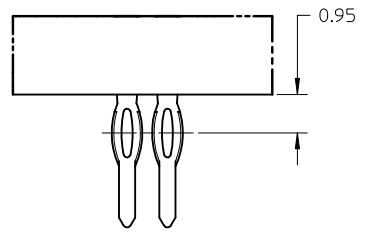
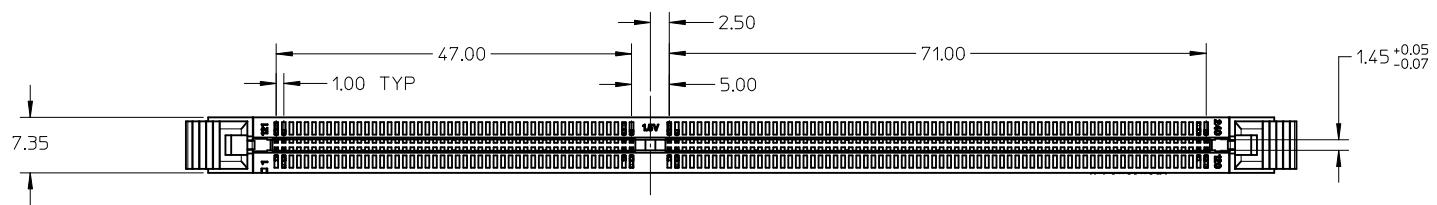
E

D

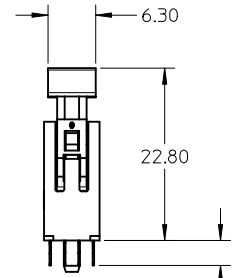
C

B

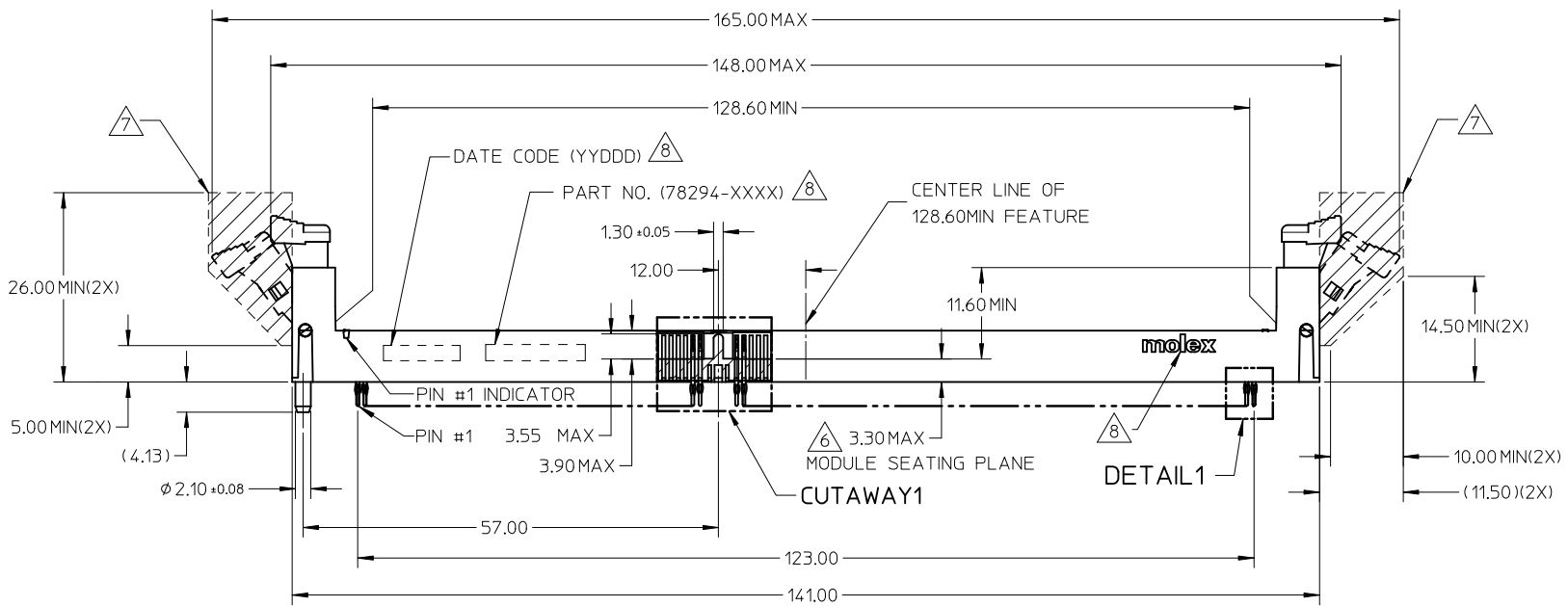
A



DETAIL1



DIM 'P' ±0.25

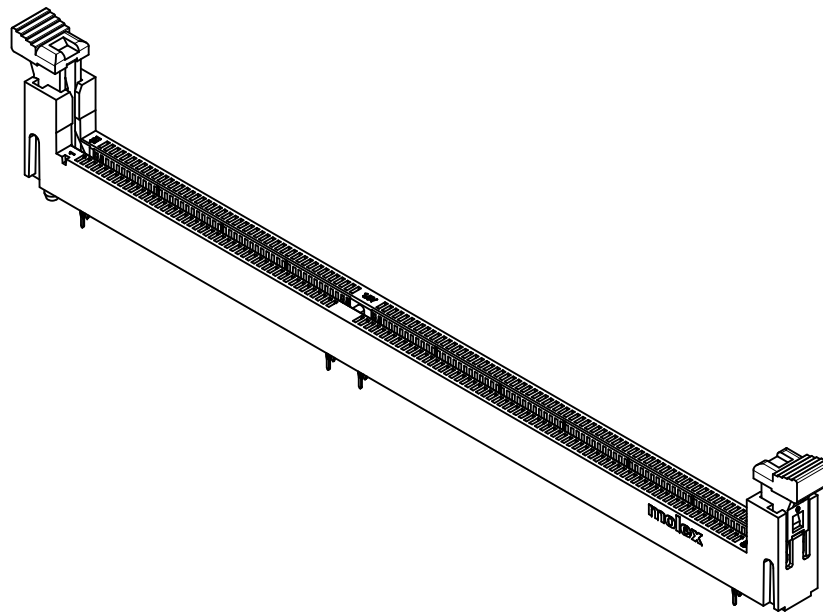
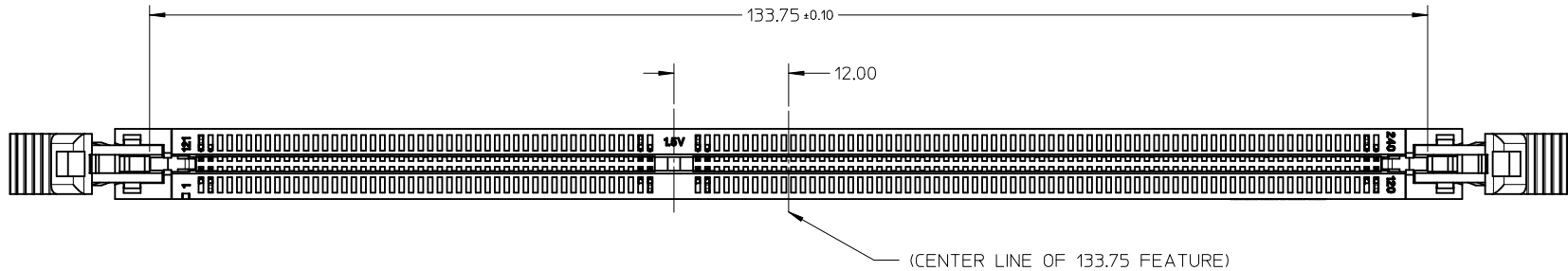


- NOTES:
- MATERIALS  
HOUSING - HIGH TEMP NYLON GLASS FILLED, UL 94V-0, COLOUR - SEE TABLE  
LATCH - HIGH TEMP NYLON, COLOUR: BLACK OR NATURAL - SEE TABLE  
- POLYSULFONE, UL 94HB - CLEAR  
TERMINAL - PHOSPHOR BRONZE
  - FINISHES - SEE TABLE.
  - PRODUCT SPECIFICATION: SEE TABLE.
  - PACKAGING SPECIFICATION: PRODUCT SHALL BE PACKED IN TRAY - SEE SHEET 6 .
  - CARD SLOT ACCEPTS 1.27±0.10MM MODULE THICKNESS. (MEASURED FROM P.C.PADS).

- ⑦ MODULE SEATING PLANE FROM TOP OF PCB.
- ⑧ KEEP OUT ZONE RESERVED FOR LATCH.
- ⑧ MOLEX LOGO, DATE & PART NO. INDICATED ON HOUSING.

REMOVE PART NO. EC NO: S2012-0828 DRWING:GJAN 2012/04/30 CHKD:CCTEH 2012/05/11 APPR:SHLENI 2012/05/11	DESCRIPTION A5	QUALITY SYMBOLS	GENERAL TOLERANCES (UNLESS SPECIFIED)		DIMENSION STYLE	SCALE	DESIGN UNITS	THIRD ANGLE PROJECTION		
		▼=0 ◻=0	mm	INCH	MM ONLY	NTS	METRIC			
			4 PLACES ± --- ± ---	3 PLACES ± --- ± ---	CHECKED BY	DATE	TITLE			
			2 PLACES ± 0.2 ± ---	1 PLACE ± --- ± ---	CCTEH	2007/10/09	DDR3 DIMM, 100MM PITCH			
		ANGULAR ± 1 °	DRAFT WHERE APPLICABLE MUST REMAIN WITHIN DIMENSIONS		APPROVED BY	DATE	MOLEX INCORPORATED			
					SHLENI	2007/10/10	SD-78294-001			
					MATERIAL NO.		DOCUMENT NO.			
					SEE TABLE		SHEET NO.			
					SIZE	THIS DRAWING CONTAINS INFORMATION THAT IS PROPRIETARY TO MOLEX INCORPORATED AND SHOULD NOT BE USED WITHOUT WRITTEN PERMISSION				
					A3	1 OF 7				

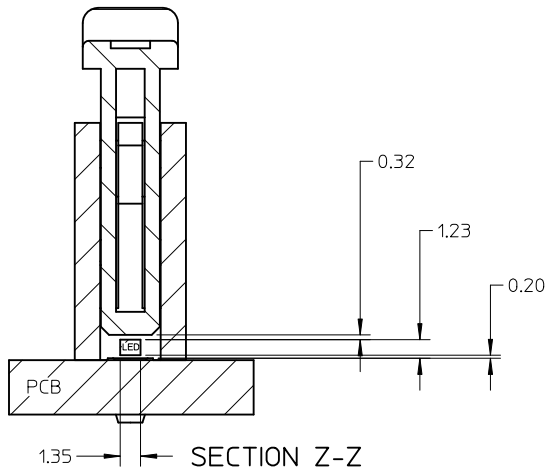
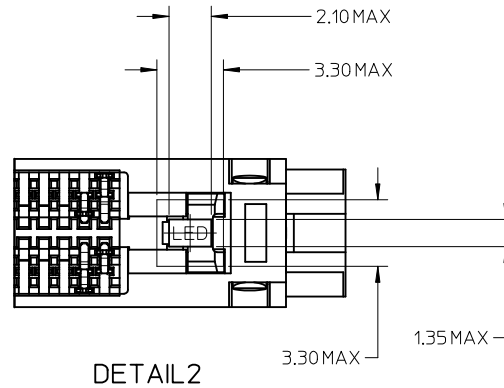
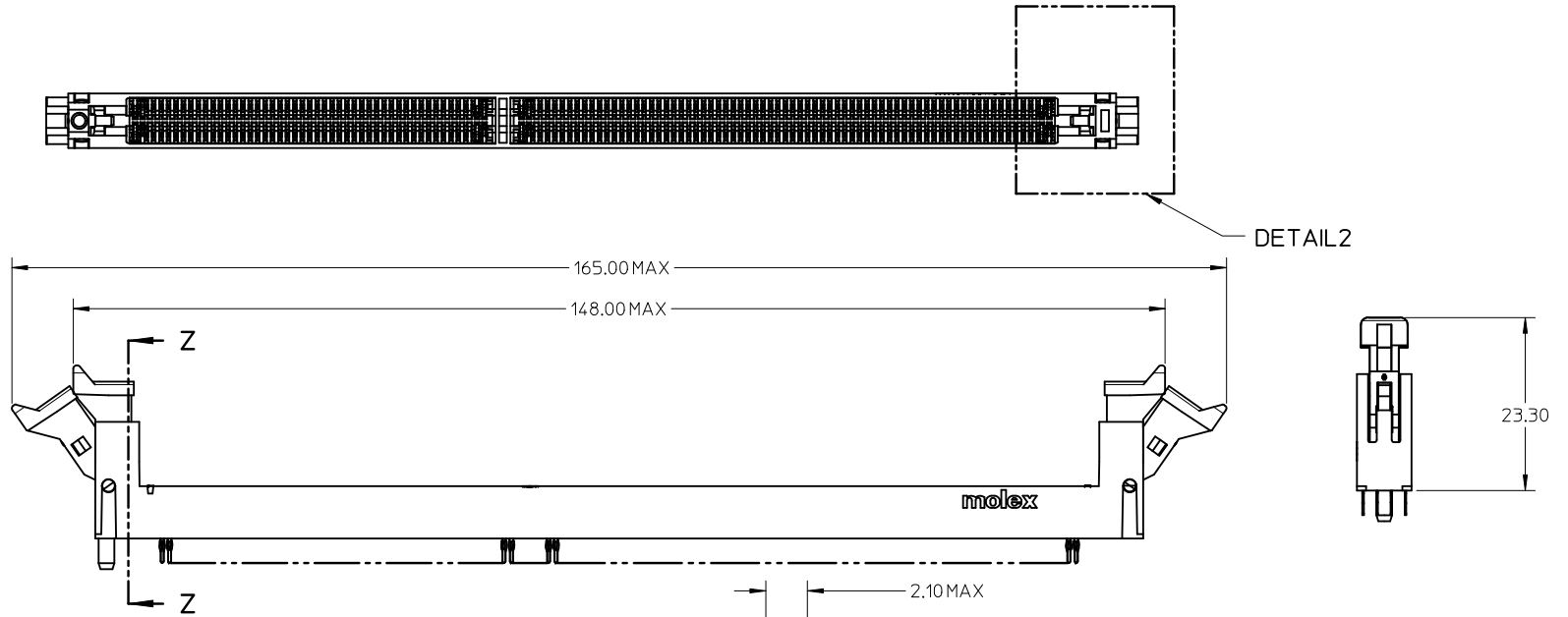
10 9 8 7 6 5 4 3 2 1



<b>REMOVE PART NO.</b> EC NO: S2012-0828 DRWN:CGTAN 2012/04/30 CHKD:CCTEH 2012/05/11 APPR:SHLENI 2012/05/11	QUALITY SYMBOLS ▽=0 ◻=0	GENERAL TOLERANCES (UNLESS SPECIFIED)		DIMENSION STYLE <b>MM ONLY</b>		SCALE NTS	DESIGN UNITS METRIC	THIRD ANGLE PROJECTION		
			mm	INCH	DRAWN BY	DATE	TITLE			
		4 PLACES	± ---	± ---	CMTEO	2007/08/29	DDR3 DIMM, 100MM PITCH			
		3 PLACES	± ---	± ---	CCTEH	2007/10/09	240 CKTS			
	± 0.2	± ---	APPROVED BY		DATE	MOLEX INCORPORATED				
1 PLACE	± ---	± ---	SHLENI		2007/10/10	DOCUMENT NO.		SHEET NO.		
	ANGULAR ± 1 °		MATERIAL NO.		SEE TABLE		SD-78294-001		2 OF 7	
DRAFT WHERE APPLICABLE MUST REMAIN WITHIN DIMENSIONS		SIZE		THIS DRAWING CONTAINS INFORMATION THAT IS PROPRIETARY TO MOLEX INCORPORATED AND SHOULD NOT BE USED WITHOUT WRITTEN PERMISSION						
A5	REV			A3						

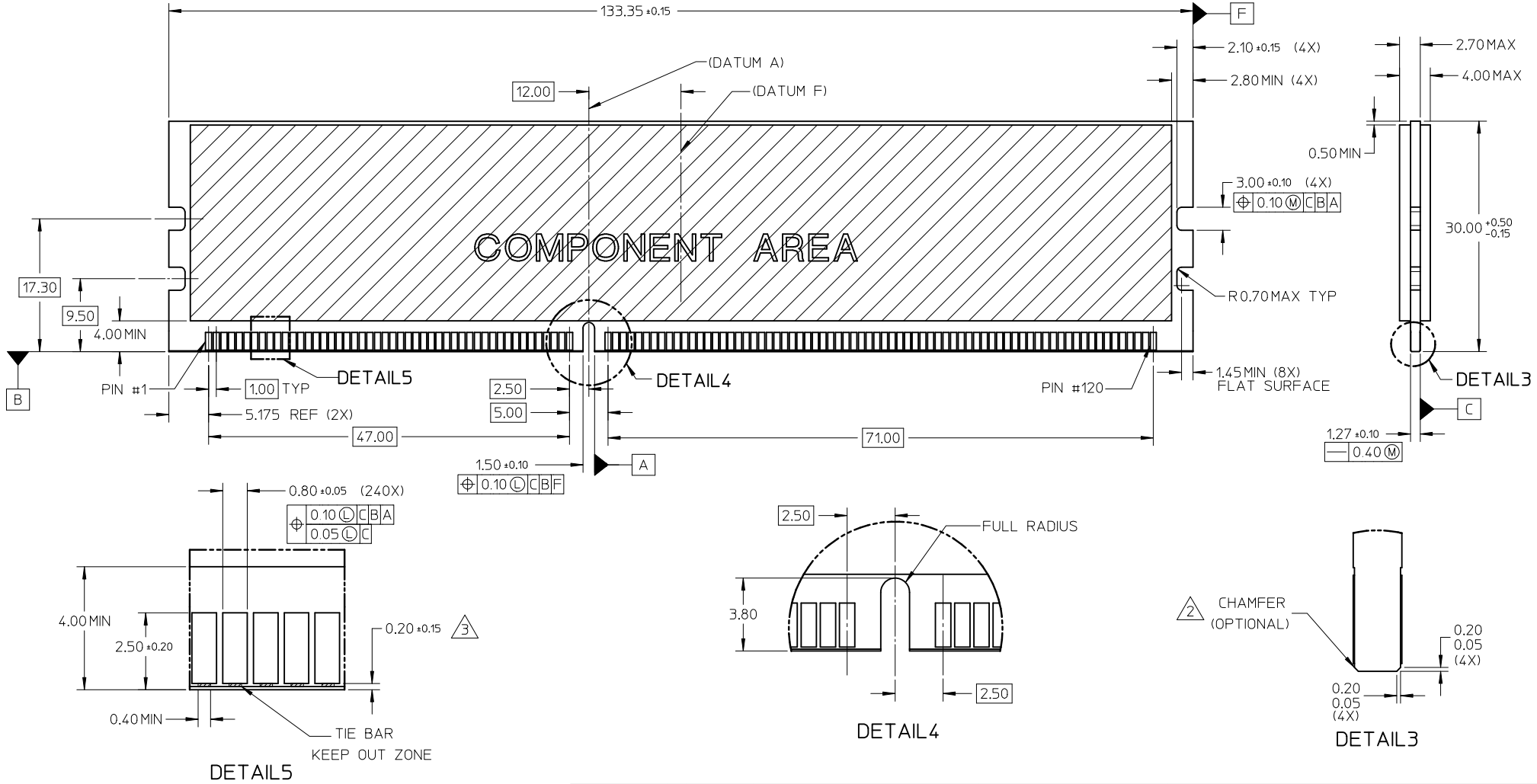
9 8 7 6 5 4 3 2 1

# CONNECTOR WITH CLEAR LATCH



<b>REMOVE PART NO.</b> EC NO: S2012-0828 DRWN:CGTAN 2012/04/30 CHYKD:CCTEH 2012/05/11 APPR:SHLENI 2012/05/11	QUALITY SYMBOLS ▽=0 ◻=0	GENERAL TOLERANCES (UNLESS SPECIFIED) mm INCH 4 PLACES ± --- ± --- 3 PLACES ± --- ± --- 2 PLACES ± 0.2 ± --- 1 PLACE ± --- ± --- ANGULAR ± 1 °	DIMENSION STYLE <b>MM ONLY</b> DRAWN BY DATE CMTEO 2007/08/29 CHECKED BY DATE CCTEH 2007/10/09 APPROVED BY DATE SHLENI 2007/10/10	SCALE NTS DESIGN UNITS METRIC THIRD ANGLE PROJECTION	TITLE DDR3 DIMM, 100MM PITCH 240 CKTS VERTICAL PRESS-FIT MOLEX INCORPORATED
	DRAFT WHERE APPLICABLE MUST REMAIN WITHIN DIMENSIONS	MATERIAL NO. SEE TABLE	DOCUMENT NO. SD-78294-001	SHEET NO. 3 OF 7	
	SIZE A3	THIS DRAWING CONTAINS INFORMATION THAT IS PROPRIETARY TO MOLEX INCORPORATED AND SHOULD NOT BE USED WITHOUT WRITTEN PERMISSION			
	REMOVE PART NO. A5				

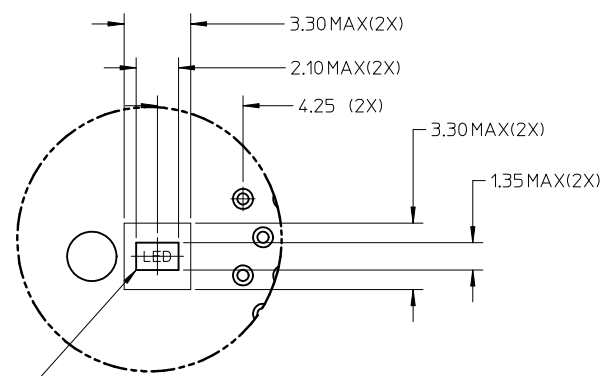
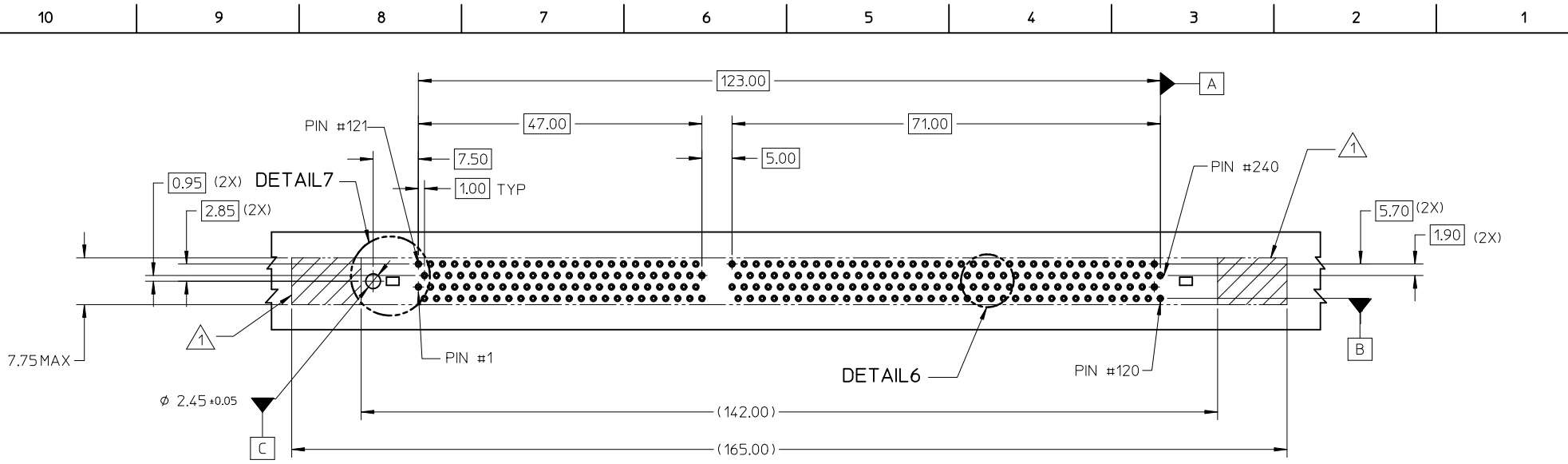
MODULE CARD  
DDR3 DUAL IN-LINE MEMORY MODULE FAMILY 100MM CONTACT CENTERS  
(JEDEC MO-269, ISSUE A, 12/05)



NOTES:

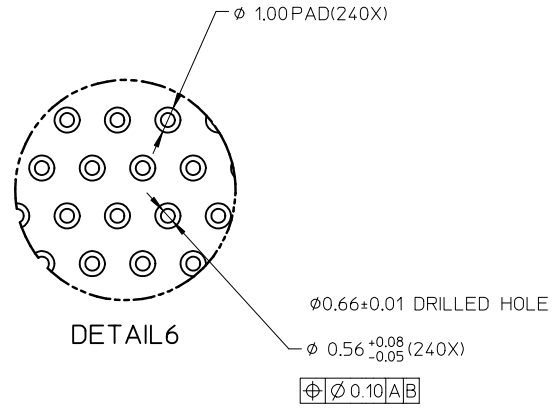
- RECOMMENDED PLATING FOR CONTACT PADS:  
 PREFERRED: 0.76 MICROMETERS GOLD PLATING MIN  
 OVER 2.00 MICROMETERS NICKEL  
 ALTERNATIVE: 0.05-0.75 MICROMETERS GOLD PLATING  
 OVER 2.00 MICROMETERS NICKEL MUST USE AN ELECTRONIC  
 CONTACT GRADE CORROSIVE BARRIER LUBRICANT
- CHAMFER IS OPTIONAL AND IS NOT TO HIT THE GOLD PADS
- LEADING EDGE OF GOLD PADS SPECIFIED BY KEEPOUT ZONE  
 SHALL BE FREE OF BURRS AND EXTERNAL TIE BARS.

<b>REMOVE PART NO.</b> EC NO: S2012-0828 DRW:CGTAN 2012/04/30 CHKD:CCTEH 2012/05/11 APPR:SHLENI 2012/05/11	QUALITY SYMBOLS ▽=0 ◻=0	GENERAL TOLERANCES (UNLESS SPECIFIED)		DIMENSION STYLE MM ONLY		SCALE	DESIGN UNITS	THIRD ANGLE PROJECTION			
						NTS	METRIC				
						DRAWN BY DATE		TITLE			
						CHECKED BY DATE		DDR3 DIMM, 100MM PITCH 240 CKTS VERTICAL PRESS-FIT			
				APPROVED BY DATE		MOLEX INCORPORATED					
				MATERIAL NO.		DOCUMENT NO.					
				SEE TABLE		SD-78294-001					
				SIZE		SHEET NO.					
				A3		4 OF 7					
				THIS DRAWING CONTAINS INFORMATION THAT IS PROPRIETARY TO MOLEX INCORPORATED AND SHOULD NOT BE USED WITHOUT WRITTEN PERMISSION							



DETAIL7

'LED' IS FOR CLEAR LATCH VERION ONLY

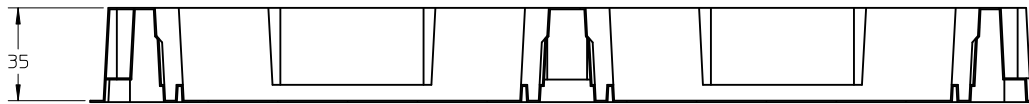
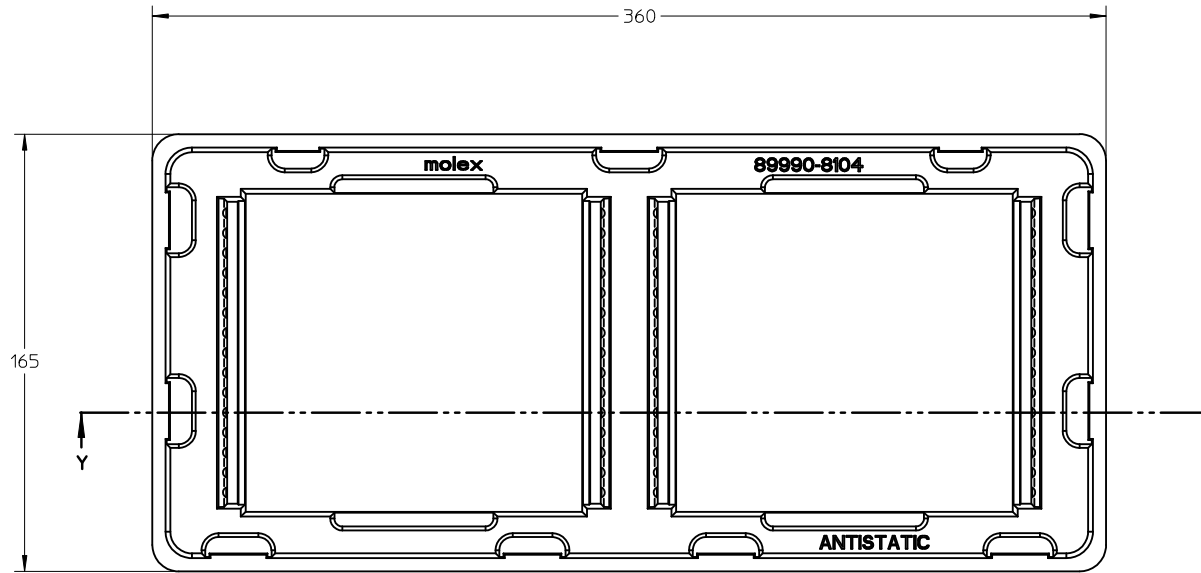


DETAIL6

NOTE:  
 1 KEEP OUT AREA IS THE AREA WHERE THE CONNECTOR (INCLUDING LATCH) IS MOUNTED ON THE PCB.

<b>REMOVE PART NO.</b> EC NO: S2012-0828 DRWN:CGTAN 2012/04/30 CHKD:CCTEH 2012/05/11 APPR:SHLENI 2012/05/11	<b>QUALITY SYMBOLS</b> = 0 = 0	<b>GENERAL TOLERANCES (UNLESS SPECIFIED)</b>		<b>DIMENSION STYLE</b> MM ONLY		<b>SCALE</b> NTS	<b>DESIGN UNITS</b> METRIC	<b>THIRD ANGLE PROJECTION</b>																								
		<table border="1"> <thead> <tr> <th></th> <th>mm</th> <th>INCH</th> </tr> </thead> <tbody> <tr> <td>4 PLACES</td> <td>± ---</td> <td>± ---</td> </tr> <tr> <td>3 PLACES</td> <td>± ---</td> <td>± ---</td> </tr> <tr> <td>2 PLACES</td> <td>± 0.2</td> <td>± ---</td> </tr> <tr> <td>1 PLACE</td> <td>± ---</td> <td>± ---</td> </tr> </tbody> </table>		mm	INCH	4 PLACES	± ---	± ---	3 PLACES	± ---	± ---	2 PLACES	± 0.2	± ---	1 PLACE	± ---	± ---	<table border="1"> <thead> <tr> <th>DRAWN BY</th> <th>DATE</th> <th>TITLE</th> </tr> </thead> <tbody> <tr> <td>CMTEO</td> <td>2007/08/29</td> <td rowspan="3"> <b>DDR3 DIMM, 100MM PITCH            240 CKTS            VERTICAL PRESS-FIT</b> </td> </tr> <tr> <td>CCTEH</td> <td>2007/10/09</td> </tr> <tr> <td>SHLENI</td> <td>2007/10/10</td> </tr> </tbody> </table>	DRAWN BY	DATE	TITLE	CMTEO	2007/08/29	<b>DDR3 DIMM, 100MM PITCH            240 CKTS            VERTICAL PRESS-FIT</b>	CCTEH	2007/10/09	SHLENI	2007/10/10	<b>MOLEX INCORPORATED</b>		<b>DOCUMENT NO.</b> SD-78294-001	<b>SHEET NO.</b> 5 OF 7
		mm	INCH																													
	4 PLACES	± ---	± ---																													
3 PLACES	± ---	± ---																														
2 PLACES	± 0.2	± ---																														
1 PLACE	± ---	± ---																														
DRAWN BY	DATE	TITLE																														
CMTEO	2007/08/29	<b>DDR3 DIMM, 100MM PITCH            240 CKTS            VERTICAL PRESS-FIT</b>																														
CCTEH	2007/10/09																															
SHLENI	2007/10/10																															
<b>DRAFT WHERE APPLICABLE MUST REMAIN WITHIN DIMENSIONS</b>	<b>SEE TABLE</b>	<b>THIS DRAWING CONTAINS INFORMATION THAT IS PROPRIETARY TO MOLEX INCORPORATED AND SHOULD NOT BE USED WITHOUT WRITTEN PERMISSION</b>																														
<b>REV</b> A5	<b>DESCRIPTION</b>			<b>SIZE</b> A3																												

# VIEW OF PACKAGING TRAY



SECTION Y-Y

NOTE:

1. CAVITY QTY : 30PCS

<b>REMOVE PART NO.</b> IEC NO: S2012-0828 DRWN:CGTAN 2012/04/30 CHKD:CCTEH 2012/05/11 APPR:SHLENI 2012/05/11 REV	QUALITY SYMBOLS ▽=0 ◻=0	GENERAL TOLERANCES (UNLESS SPECIFIED) mm INCH 4 PLACES ± --- ± --- 3 PLACES ± --- ± --- 2 PLACES ± 0.2 ± --- 1 PLACE ± --- ± --- ANGULAR ± 1 °	DIMENSION STYLE <b>MM ONLY</b>	SCALE NTS	DESIGN UNITS METRIC	THIRD ANGLE PROJECTION	
	DRAWN BY CMTEO	DATE 2007/08/29	CHECKED BY CCTEH	DATE 2007/10/09	TITLE DDR3 DIMM, 100MM PITCH 240 CKTS VERTICAL PRESS-FIT		
	APPROVED BY SHLENI	DATE 2007/10/10	MATERIAL NO. <b>SEE TABLE</b>			MOLEX INCORPORATED	
	DRAFT WHERE APPLICABLE MUST REMAIN WITHIN DIMENSIONS		DOCUMENT NO. SD-78294-001			SHEET NO. 6 OF 7	

TIN OPTION

PART NO.	VOLTAGE KEY POS.	VOLTAGE	DIM 'P'	RECOMMENDED PCB THICKNESS	PLATING OPTION	HOUSING COLOUR	LATCH COLOUR	PRODUCT SPECIFICATION				
78294-0001	CENTER	1.5V	3.30	3.60	CONTACT AREA: 0.76 MICROMETER/ 30 MICROINCH MIN. GOLD OVER 1.27 MICROMETER/ 50 MICROINCH MIN NICKEL UNDERPLATE	BLACK	BLACK	PS-78294-002				
78294-0002			4.20	4.57								
78294-0005			3.30	3.60								
78294-0006			4.20	4.57								
78294-0007			3.30	3.60								
78294-0008			4.20	4.57								
78294-0009			3.30	3.60								
78294-0010			4.20	4.57								
78294-0003			3.30	3.60					CONTACT AREA: 0.38 MICROMETER/ 15 MICROINCH MIN. GOLD OVER 1.27 MICROMETER/ 50 MICROINCH MIN NICKEL UNDERPLATE	BLACK	BLACK	PS-78294-001
78294-0004			4.20	4.57								
78294-0105	3.30	3.60										
78294-0106	4.20	4.57										

<b>REMOVE PART NO.</b> EC NO: S2012-0828 DRWN:CGTAN 2012/04/30 CHYD:CCTEH 2012/05/11 APPR:SHLENI 2012/05/11 REV DESCRIPTION	QUALITY SYMBOLS	GENERAL TOLERANCES (UNLESS SPECIFIED)	DIMENSION STYLE	SCALE	DESIGN UNITS	THIRD ANGLE PROJECTION
	$\nabla=0$ $\sphericalangle=0$	mm INCH	MM ONLY	NTS	METRIC	
		4 PLACES ± --- ± ---	DRAWN BY DATE	TITLE		
		3 PLACES ± --- ± ---	CMTEO 2007/08/29	DDR3 DIMM, 100MM PITCH		
		2 PLACES ± 0.2 ± ---	CHECKED BY DATE	240 CKTS		
	1 PLACE ± --- ± ---	CCTEH 2007/10/09	VERTICAL PRESS-FIT			
	ANGULAR ± 1 °	APPROVED BY DATE	MOLEX INCORPORATED			
		SHLENI 2007/10/10	MOLEX INCORPORATED			
		MATERIAL NO.	DOCUMENT NO.			
		SEE TABLE	SD-78294-001			
		DRAFT WHERE APPLICABLE MUST REMAIN WITHIN DIMENSIONS	SHEET NO.			
			7 OF 7			
			THIS DRAWING CONTAINS INFORMATION THAT IS PROPRIETARY TO MOLEX INCORPORATED AND SHOULD NOT BE USED WITHOUT WRITTEN PERMISSION			