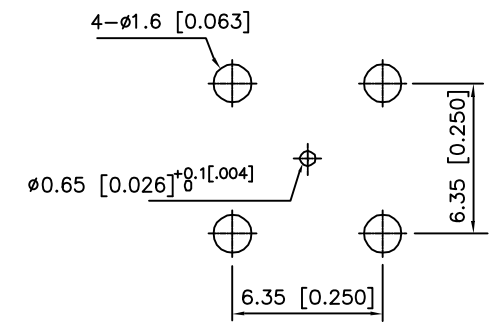
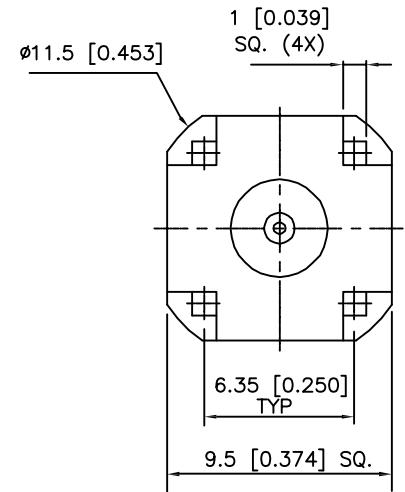
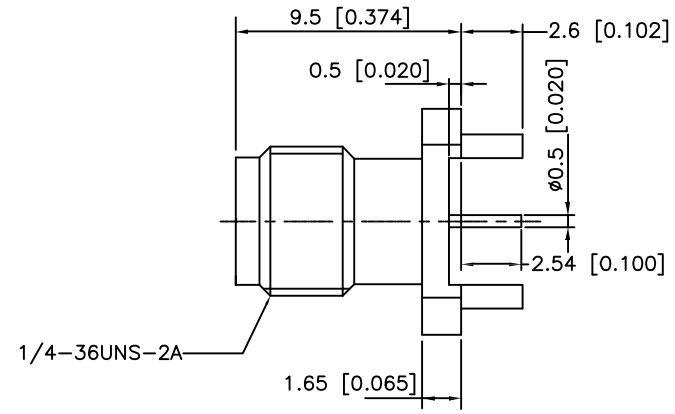
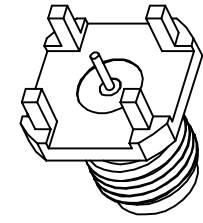


REV.	DATE	DESCRIPTION
A	07/08/09	RELEASE TO MFG.



PCB MOUNTING HOLES

The connector interface meets MIL-STD-348

ELECTRICAL CHARACTERISTICS:

Characteristic impedance : 50Ω

Working voltage : 335V

Frequency range : DC-6.0GHz

Dielectric withstanding voltage : 1000V

Contact resistance : Center contact : ≤3mΩ

Outer contact : ≤2mΩ

Insulation resistance : ≥5000MΩ

High temp. Process Statement:

230°C for 30 to 60 seconds and 230°C for 10 seconds

This component and ITS homogeneous subcomponents

are RoHS compliant.

NO	DESCRIPTION	MATERIAL	FINISH	QTY
3	CENTER CONTACT	BERYLLIUM COPPER	GOLD	1
2	INSULATOR	PTFE		1
1	BODY	BRASS	GOLD	1

UNLESS OTHERWISE SPECIFIED DIMENSIONS ARE IN MILLIMETERS. DIMENSIONS IN [] ARE IN INCHES AND FOR CUSTOMER REFERENCE ONLY.

UNLESS OTHERWISE SPECIFIED TOLERANCES FOR MILLIMETERS ARE:
0.5 - 8mm ± 0.20mm
8 - 30mm ± 0.40mm
30 - 120mm ± 0.50mm

UNLESS OTHERWISE SPECIFIED TOLERANCES FOR INCHES ARE:
.020 - .315 = ± 0.007"
.315 - 1.180 = ± 0.015"
1.180 - 4.724 = ± 0.020"

DO NOT SCALE DRAWING

APPROVALS	DATE
DRAWN CLEMENT	07/08/09
CHECKED	
ISSUED	
SHEET 1 OF 1	
CAD FILE C:\132\132401.DWG	

Amphenol Connex			
PART DESCRIPTION			
SMA PCB RECEPTACLE, 0.250 IN SQ FOOTPRINT			
PART NO. 132401			
DWG. NO.	132401.DWG	REV. A	SIZE A SCALE NA