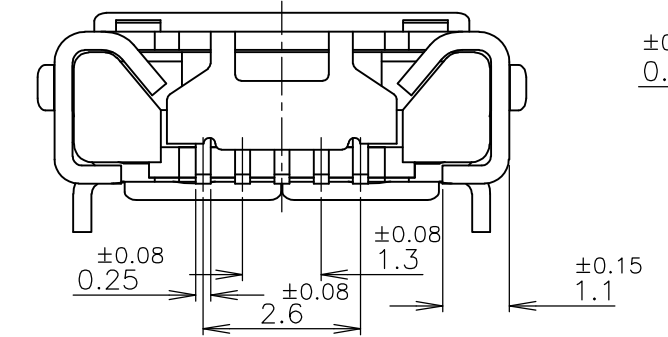
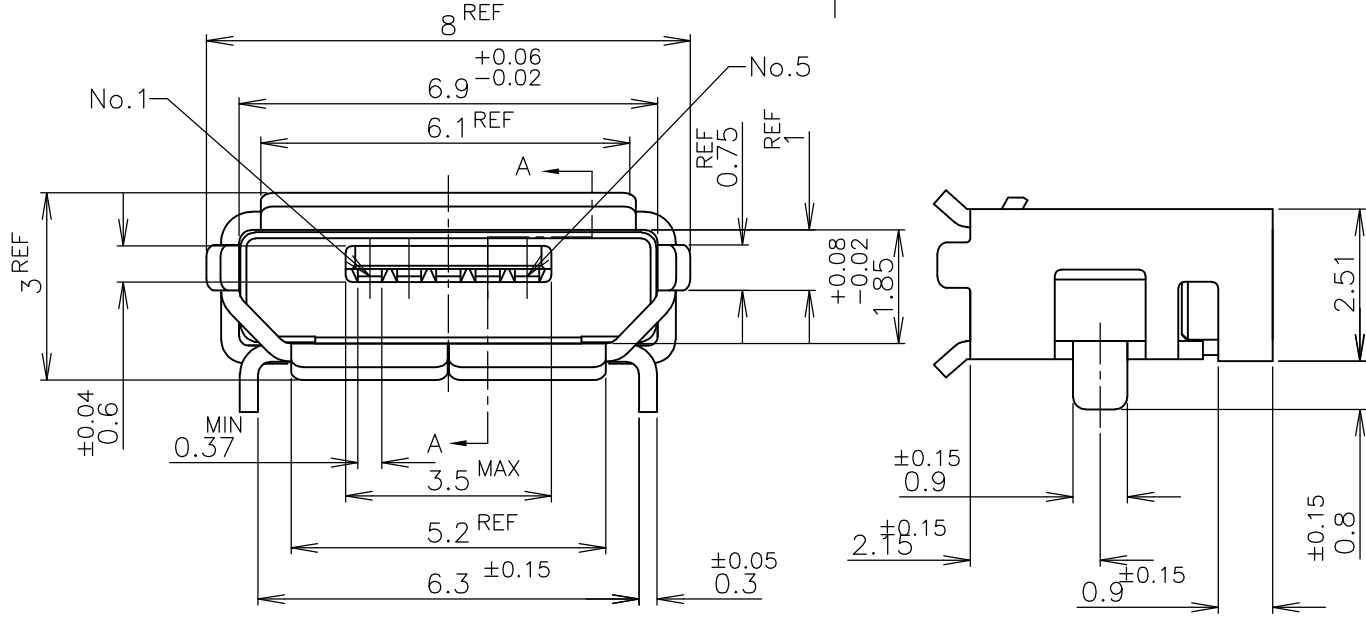
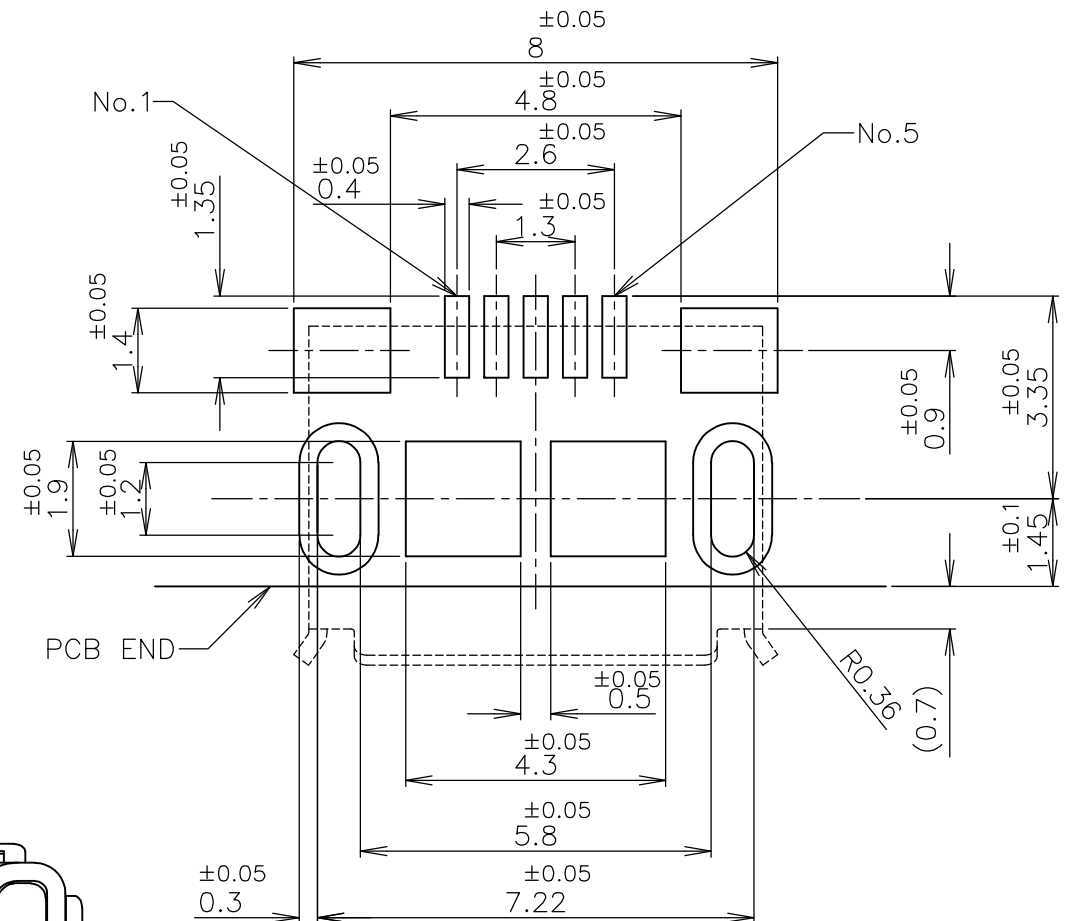
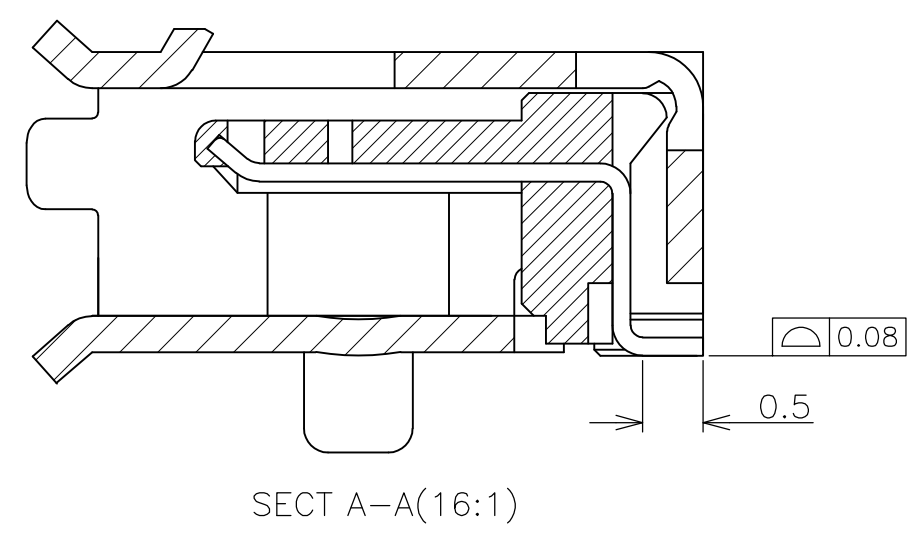
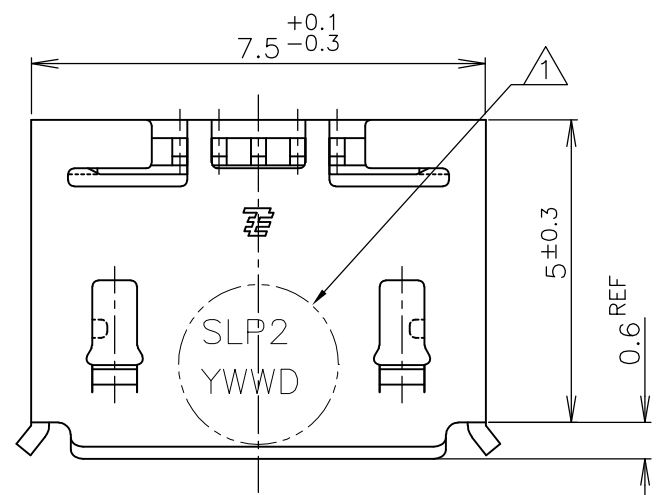



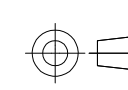
THIS DRAWING IS UNPUBLISHED. RELEASED FOR PUBLICATION MAY, 2007.  
 © COPYRIGHT 2007 By - ALL RIGHTS RESERVED.

LOC	DIST	REVISIONS				
		P	LTR	DESCRIPTION		
J	/	B2	REVISED PER ECO-11-005030	11MAR11	RK	HMR



PCB LAYOUT(REFERENCE)  
(VIEWED FROM CONNECTOR MOUNT SIDE)

- △ DATE CODE MARKING
- 2. OVERALL TOLERANCE: ±0.2
- 3. MATERIAL HOUSING : THERMOPLASTIC RESIN UL94V-0  
CONTACT : COPPER ALLOY  
SHELL : STAINLESS STEEL
- 4. FINISH CONTACT : Ni UNDER PL  
Au PL OVER Ni PL AT CONTACT AREA  
SHELL : Ni UNDER PL  
Sn PL

THIS DRAWING IS A CONTROLLED DOCUMENT.		DWN J.TSUJI 22OCT2007	 TE Connectivity											
DIMENSIONS: 單位: 耗 MM		CHK T.KUSUHARA 22OCT2007												
TOLERANCES UNLESS OTHERWISE SPECIFIED: 一般公差		APVD T.KUSUHARA 22OCT2007												
<table border="1"> <tr><td>0 PLC</td><td>± 0.2</td></tr> <tr><td>1 PLC</td><td>± 0.2</td></tr> <tr><td>2 PLC</td><td>± 0.2</td></tr> <tr><td>3 PLC</td><td>± 0.2</td></tr> <tr><td>4 PLC</td><td>± 0.2</td></tr> <tr><td>ANGLES</td><td>± 10</td></tr> </table>		0 PLC		± 0.2	1 PLC	± 0.2	2 PLC	± 0.2	3 PLC	± 0.2	4 PLC	± 0.2	ANGLES	± 10
0 PLC	± 0.2													
1 PLC	± 0.2													
2 PLC	± 0.2													
3 PLC	± 0.2													
4 PLC	± 0.2													
ANGLES	± 10													
		PRODUCT SPEC 製品規格 108-78434	MICRO USB RECEPTACLE DIP TYPE B ASSY											
MATERIAL 材料		APPLICATION SPEC 取付適用規格	SIZE A3											
FINISH 仕上		WEIGHT	CAGE CODE 00779											
2013499-1		DRAWING NO 番号 G-2013499												
PART NUMBER		RESTRICTED TO -												
CUSTOMER DRAWING		SCALE 尺度 8:1												
		SHEET 1 OF 2												
		REV B2												

4

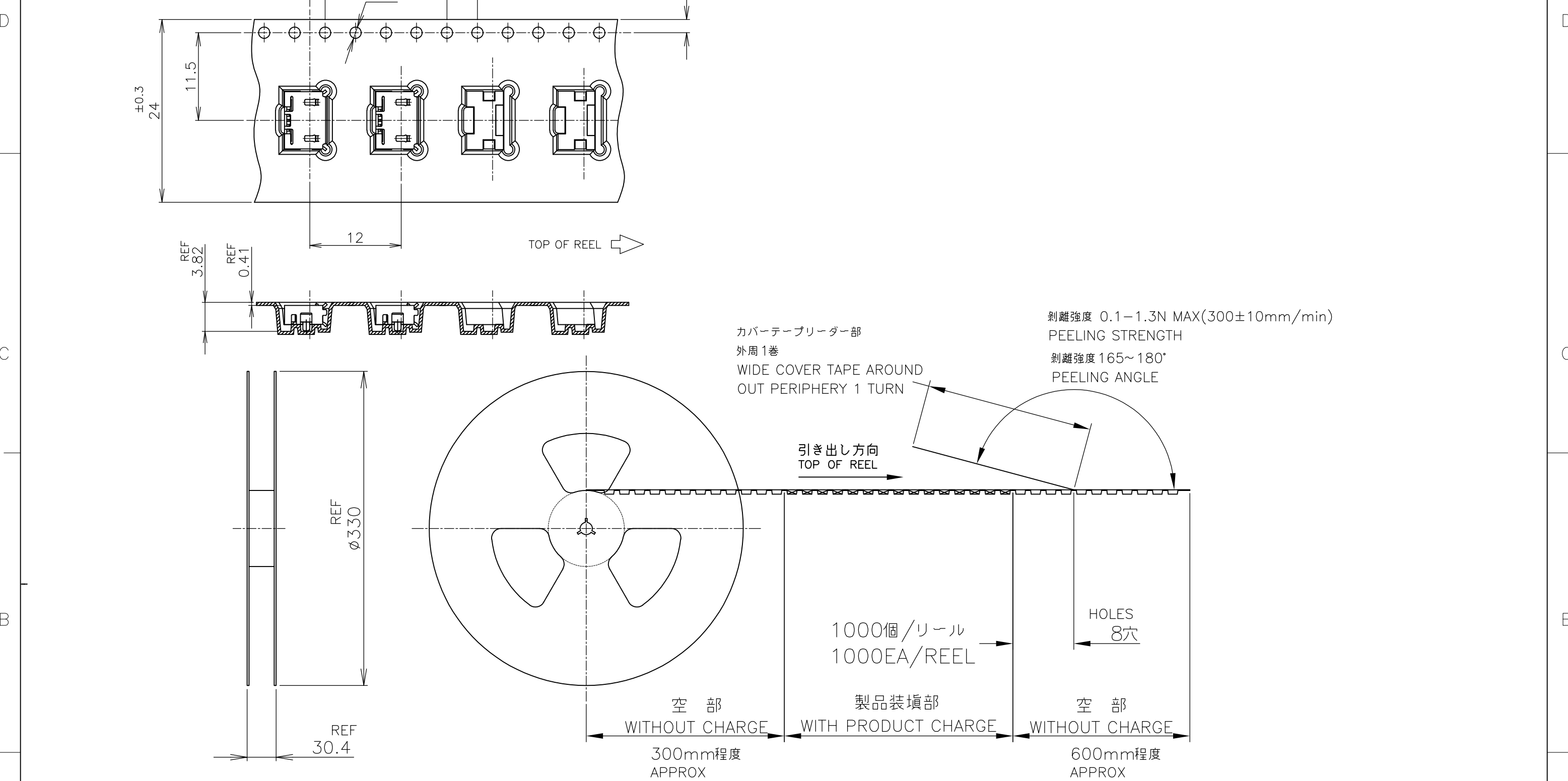
3

2

1

THIS DRAWING IS UNPUBLISHED. RELEASED FOR PUBLICATION JAN , 2007.  
 © COPYRIGHT 2007 By - ALL RIGHTS RESERVED.

LOC	DIST	REVISIONS		
J	/	P	LTR	DESCRIPTION
				DATE
				DWN
				APVD
		-	SEE SHEET 1	-



THIS DRAWING IS A CONTROLLED DOCUMENT.		DWN	STE TE Connectivity		
DIMENSIONS: 単位: 耗 MM		CHK	NAME 名称		
TOLERANCES UNLESS OTHERWISE SPECIFIED: 一般公差		APVD	MICRO USB RECEPTACLE DIP TYPE B ASSY		
0 PLC ± 0.2		PRODUCT SPEC 製品規格	SIZE	CAGE CODE	DRAWING NO 番号
1 PLC ± 0.2		APPLICATION SPEC 取付適用規格	A3	00779	G-2013499
2 PLC ± 0.2		WEIGHT	RESTRICTED TO		
3 PLC ± 0.2		CUSTOMER DRAWING	SCALE 尺度 2:1		
4 PLC ± 0.2			SHEET 2 OF 2		
ANGLES ± 10			REV B2		
FINISH 仕上					
MATERIAL 材料					