

Series Part Numbers

Connector Code	Description	P / N
-XX-AM	SMA Plug	L324AM-434
AH	SMA Plug Reverse Polarity	L324AH-434

Electrical Properties:

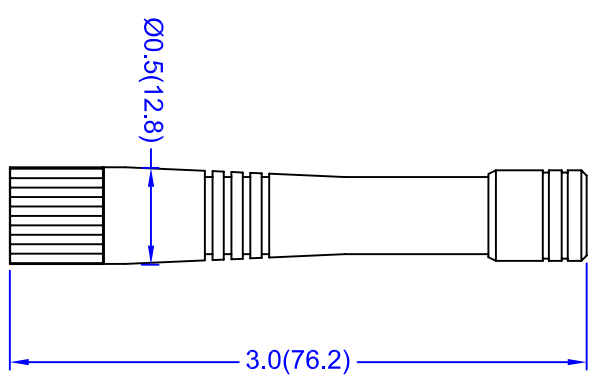
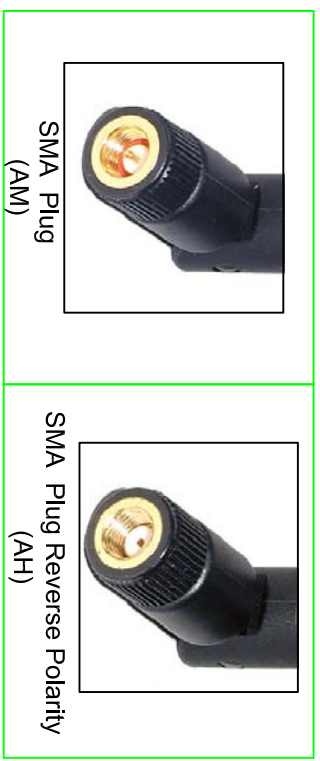
Frequency Range: 433~435 MHz
Impedance: 50-ohm nominal
VSWR: <2.0:1
Gain: 0 dBi
Radiation: Omni
Polarization: Vertical
Wave: 1/4 wave

Mechanical Properties:

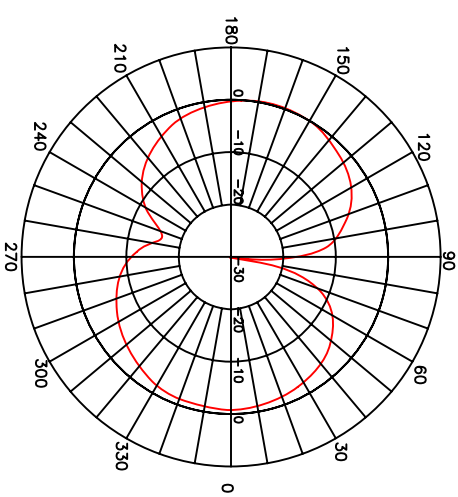
Connector: SMA type
Material: Polyurethane(Black)
Whip: Brass with black chrome plating
Connector: chrome plating
Operation Temp.: -20°C to +65°C
Storage Temp.: -30°C to +75°C

This is a RoHS compliant product.

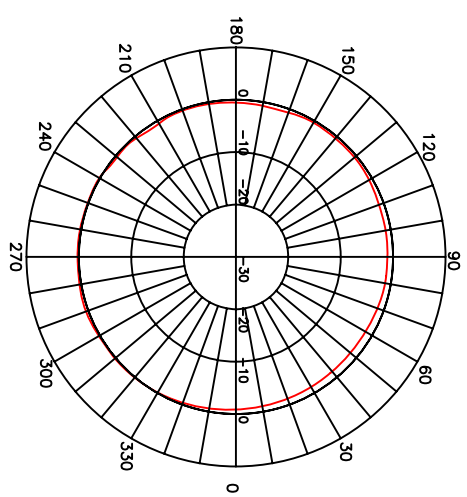
Connector Interface



E-Plane Pattern @ 434 MHz



H-Plane Pattern @ 434 MHz



TITLE	UHF Band Straight Antenna - 324 Model		Rev. Date	SHEET
UNIT	DWG. NO.	L324XX - 434	04/29/06	1 of 1
SCALE	none			
NEARSON				
http://www.nearson.com				