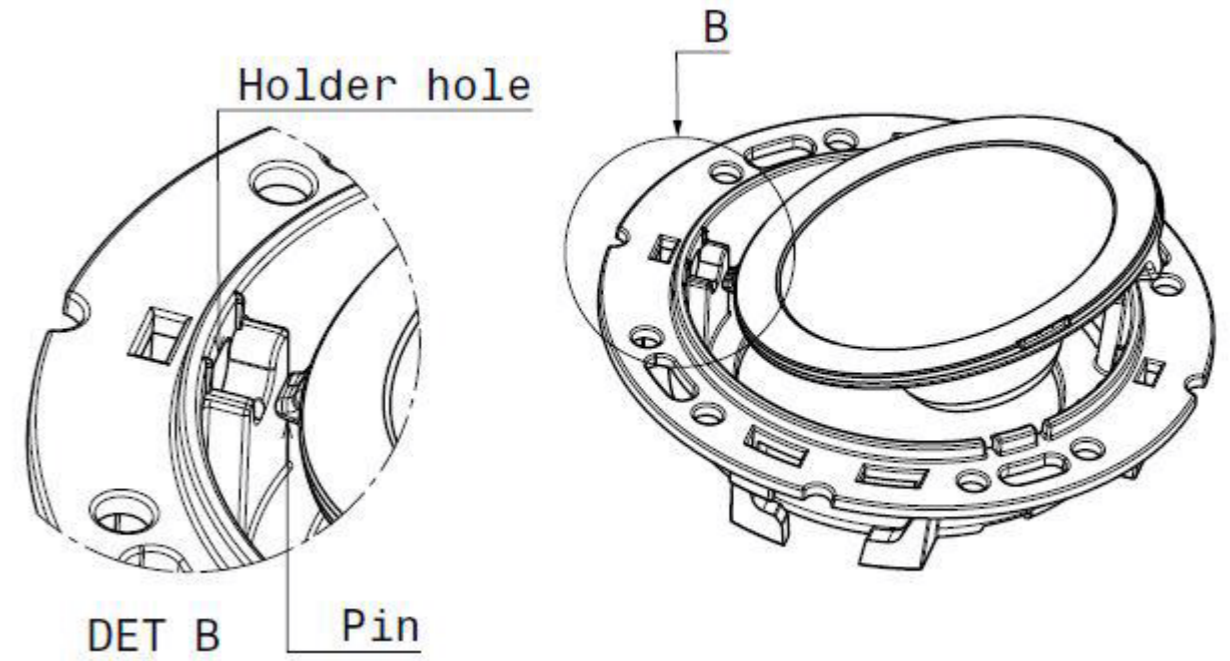
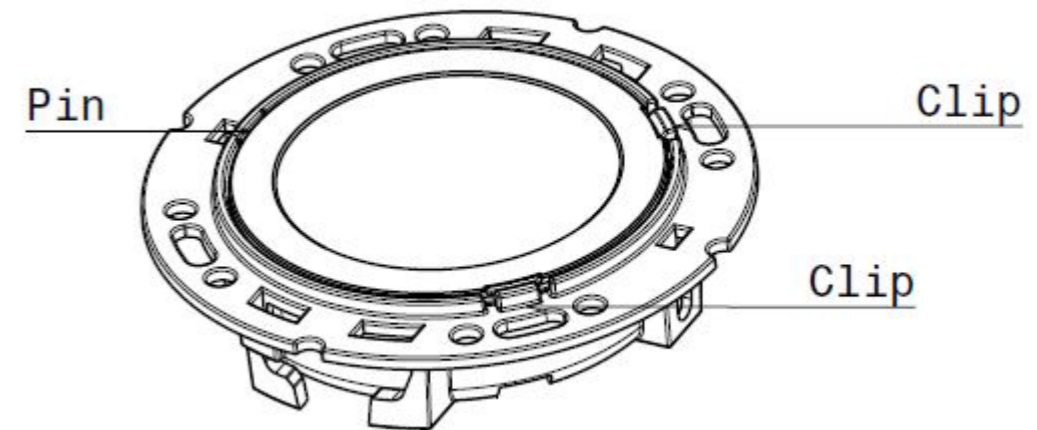


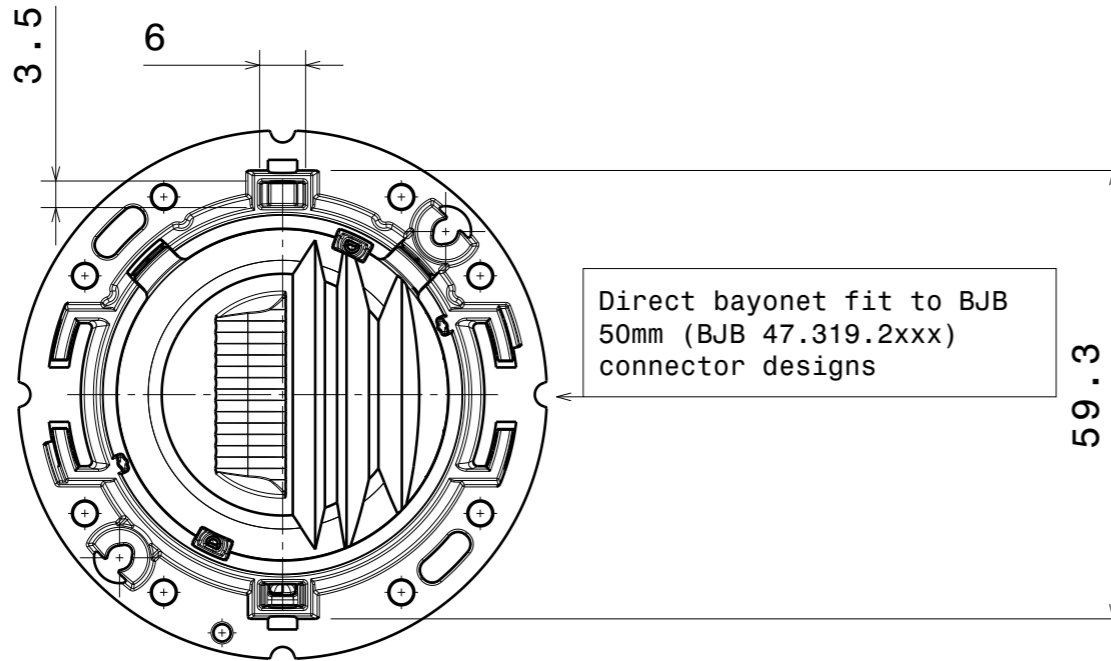
1. Place pin on the side of the lens into relative hole on the holder



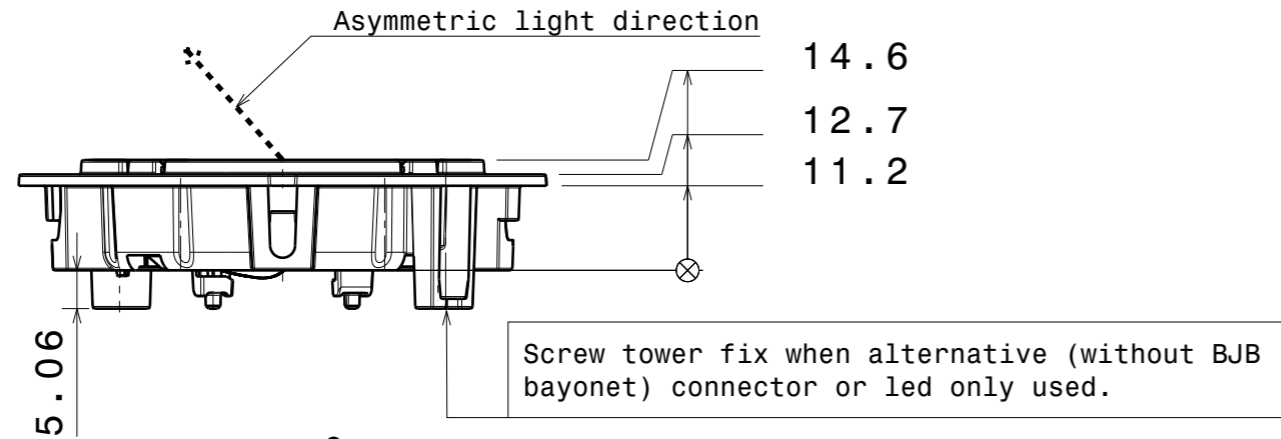
2. Press the lens under clips on the holder, ensuring both clips are fixed



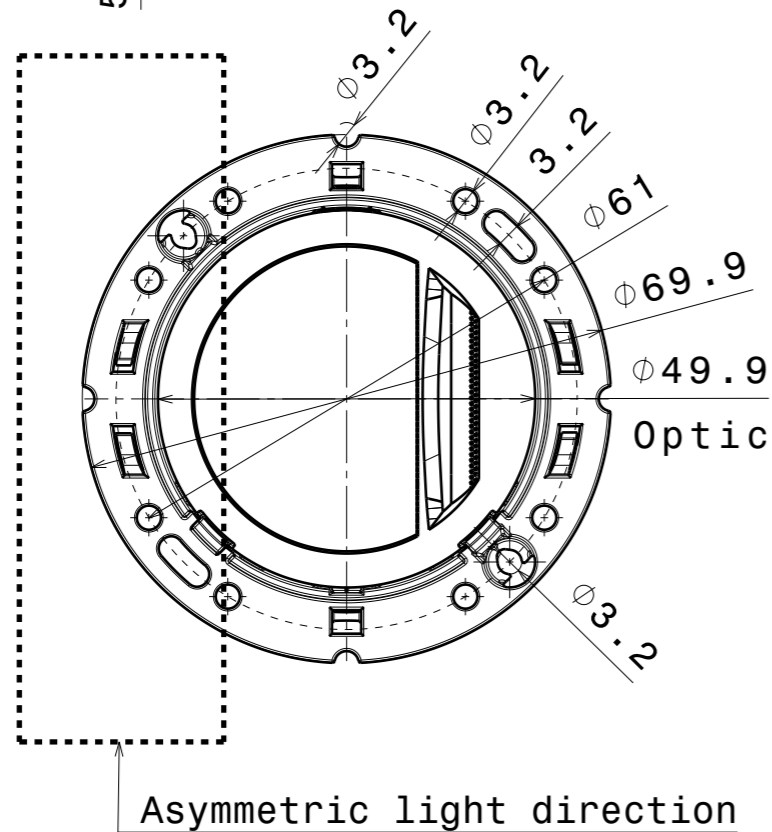
Bottom view
Scale: 1:1



Front view
Scale: 1:1



Top view
Scale: 1:1



INDEX	PART NO	DESCRIPTION	MATERIAL	COLOUR
1	FN15978	RONDA-WAS2-B	Optic PMMA, Holder PC	

Tolerances if not otherwise shown
According to DIN ISO 2768-1
Linear measures:
Up to 30mm class M, otherwise class C.
According to DIN ISO 2768-2
Form and position: class L

LEDiL LediL Oy
Salorankatu 10
FIN 24240 SALO
Finland

THIRD ANGLE PROJECTION:

DRAWING TITLE
FN15978_RONDA-WAS2-B

This drawing is the property of LEDiL Oy. It may not be reproduced, copied or communicated without a written agreement with LEDiL Oy.

SIZE PART NUMBER
A3 FN15978

SCALE 1:1 WEIGHT - g SHEET 1/1