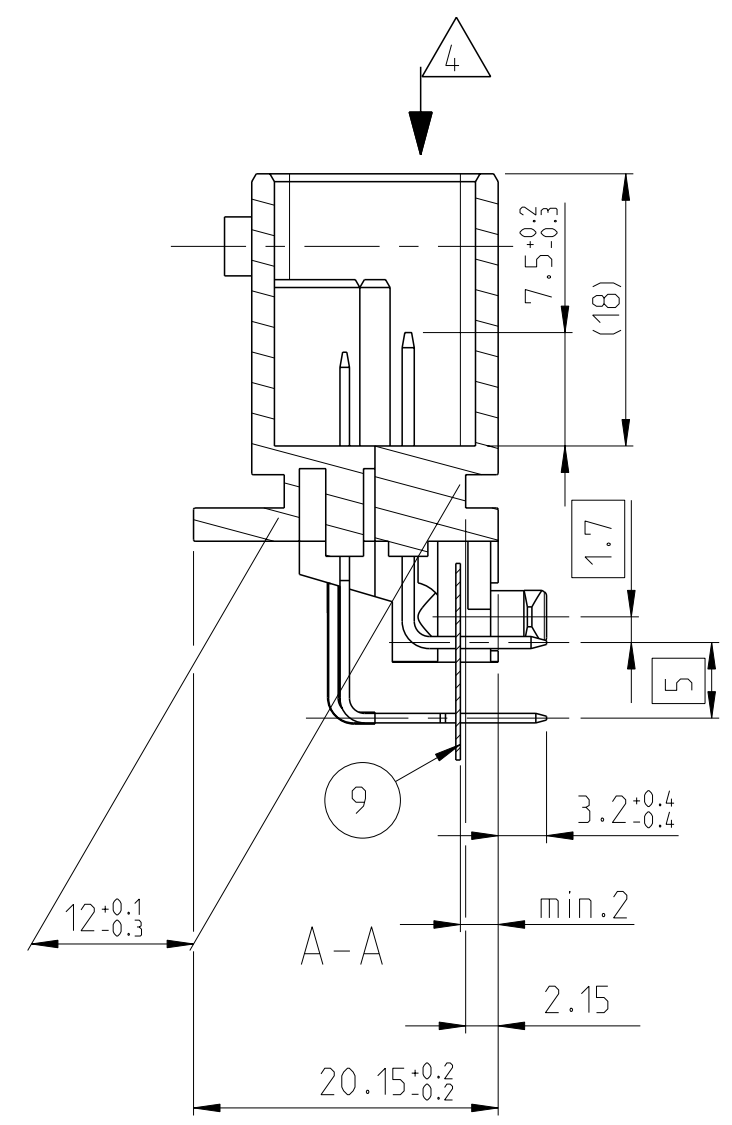
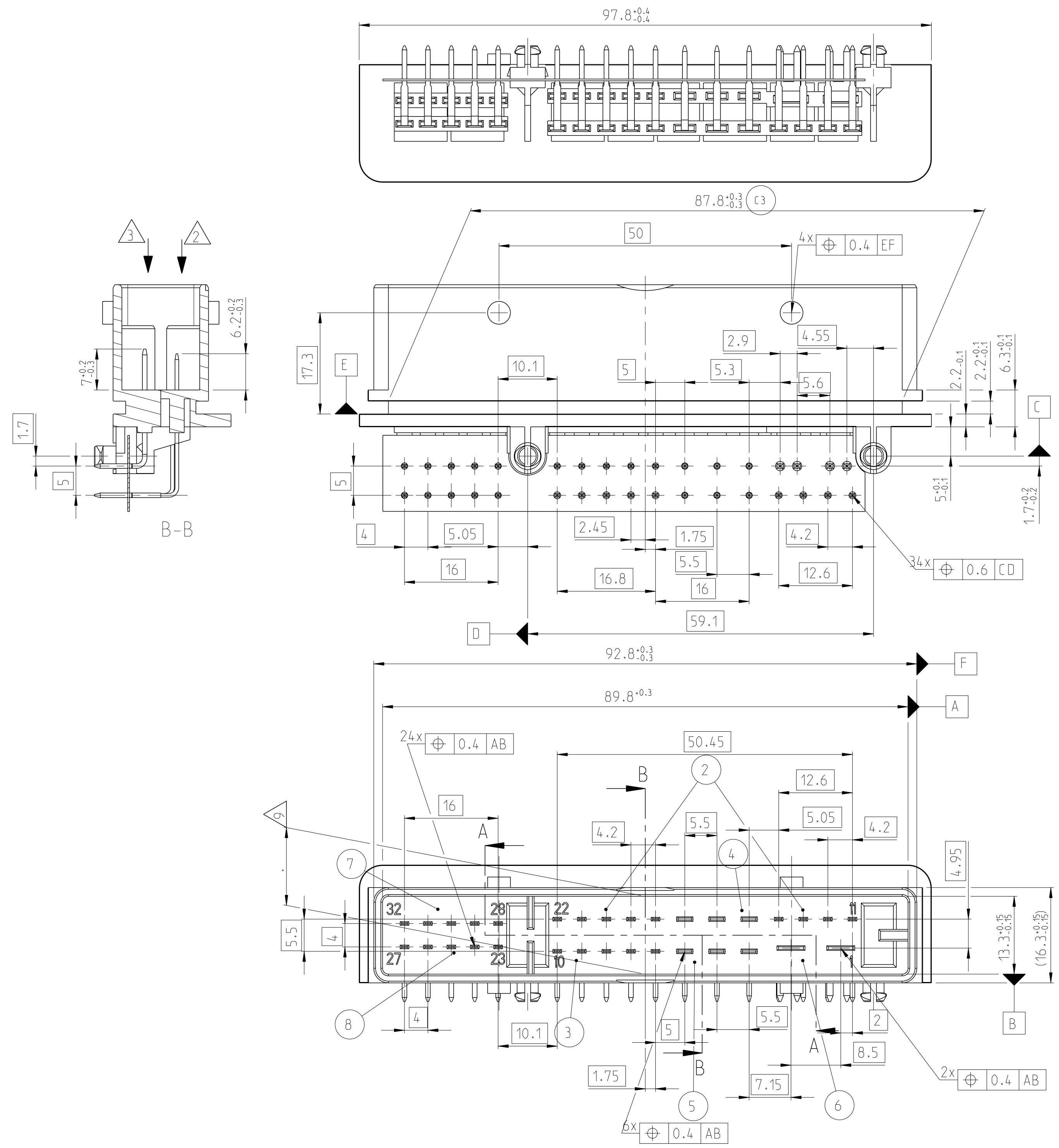
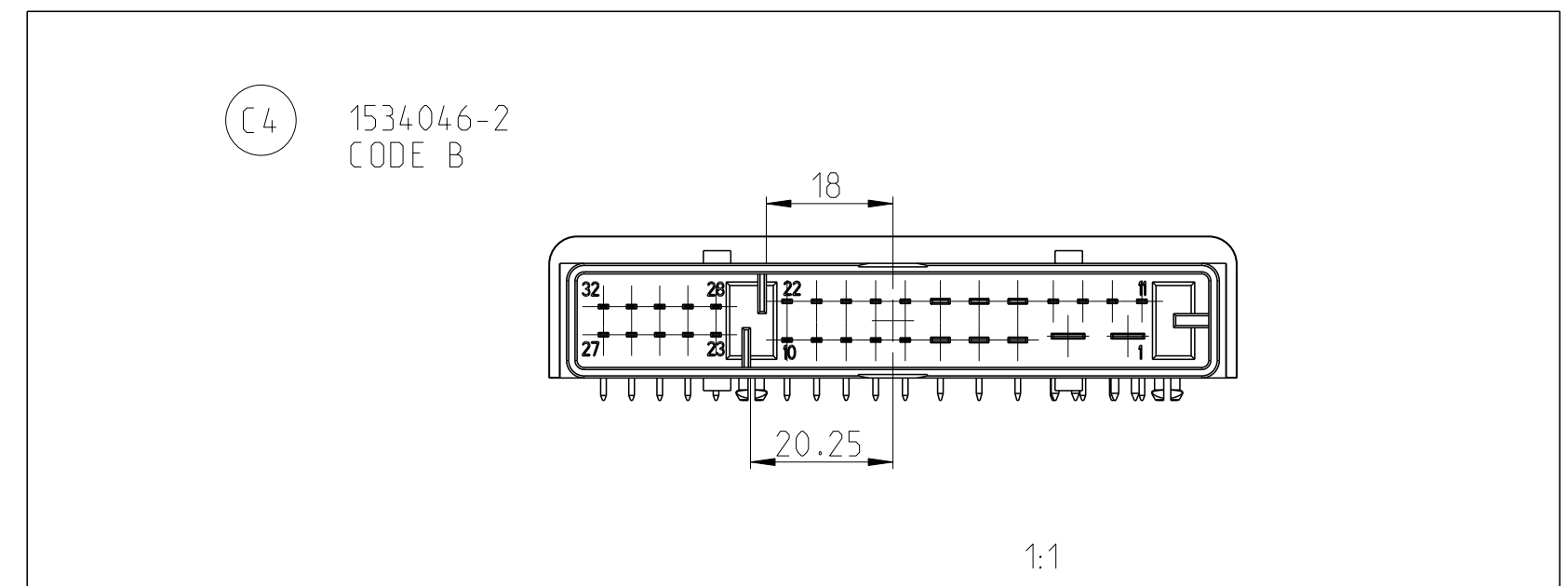


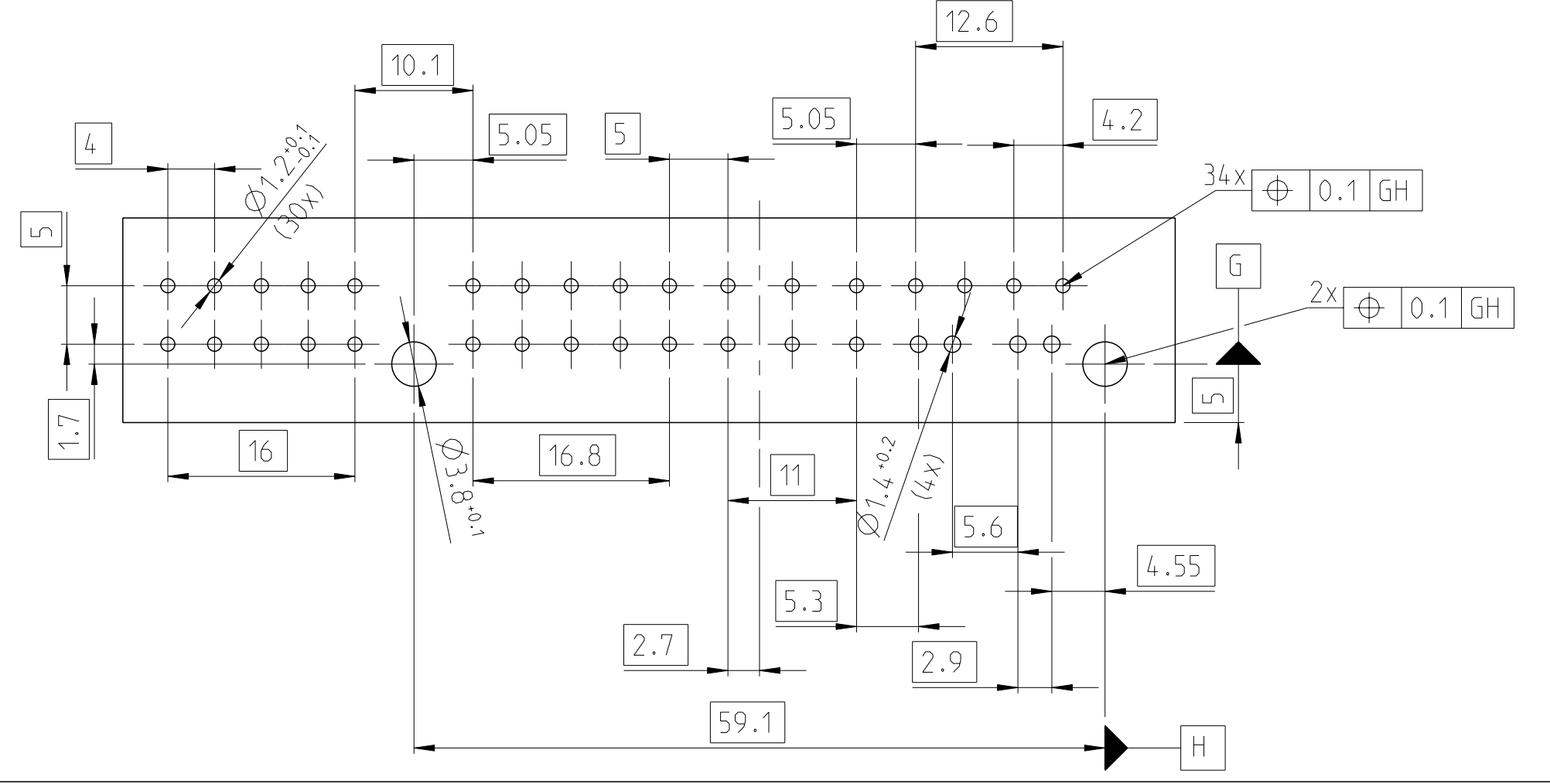
LOC		DIST		REVISIONS			
FM	1	P	LTR	DESCRIPTION	DATE	DWN	APVD
PROJKT NR.:				A1	NEW DRAWING	26NOV2007	RD BL
				C3	CORRECTION OF THE REV.	26NOV2007	RD BL
				C4	New version added (...-2 . code B)	29JUL2011	GB SzG
				C5	Change the color of hsg. code B to white	03JAN2012	GB SzG



- Bemerkungen
NOTES
- Passender Buchsenstecker: 32pol.
SUITABLE RECEPTACLE HOUSING: 32POL. DRAWING-NO.: 1534053
 - Haltekraft der Flachkontakte 1.5 (Pos. 2,3,7,8) bei axialer Beanspruchung
RESISTANT FORCE OF THE TAB 1.5 (POS. 2,3,7,8) AGAINST AXIAL CONDITIONING min. 55N
 - Haltekraft der Flachkontakte 2.8 (Pos. 4,5) bei axialer Beanspruchung
RESISTANT FORCE OF THE TAB 2.8 (POS. 4,5) AGAINST AXIAL CONDITIONING min. 80N
 - Haltekraft der Flachkontakte 4.8 (Pos. 6) bei axialer Beanspruchung
RESISTANT FORCE OF THE TAB 4.8 (POS. 6) AGAINST AXIAL CONDITIONING min. 120N
 - Verpackung: Lagenweise im Karton
PACKAGING: INTERPLAYER PACKAGING IN CORRUGATED BOX
 - Stecklehre fuer Messerleiste Nr.
MATING GAUGE FOR MATING SIDE: NO.
 - Positionstoleranzen gelten fuer die Flachsteckerspitzen
POSITION TOLERANCES APPLY TO THE TAB-POINTS
 - Loetbarkeit nach IEC 68, T2-20
SOLDERABILITY PER IEC 68, T2-20
 - Formbedingter Verzug +0.2^{zul.}
WAREPAGE +0.2 PERMITTED
-0.6



Empfohlenes Leiterplattenbohrbild:
PRINTED PCB LAYOUT:



ASSY NO. Bestell-Nr.	REV.	COD.	REV.	DESCRIPTION Benennung	COLOR SURFACE Farbe Oberflaeche	QTY.	ITEM NO			
(C4) 1534046-2	A	B	A	CENTERPLATE	WHITE	1	9			
			A	TAB 1.5X0.6	TIN PLATED	5	8			
			A	TAB 1.5X0.6	TIN PLATED	5	7			
			A	TAB 4.8X0.8	TIN PLATED	2	6			
			A	TAB 2.8X0.8	TIN PLATED	3	5			
			A	TAB 2.8X0.8	TIN PLATED	3	4			
			A	TAB 1.5X0.6	TIN PLATED	5	3			
			A	TAB 1.5X0.6	TIN PLATED	9	2			
			A	PIN HEADER Code B	WHITE	1	1			
			1534046-1	C	A	A	CENTERPLATE	WHITE	1	9
						A	TAB 1.5X0.6	TIN PLATED	5	8
						A	TAB 1.5X0.6	TIN PLATED	5	7
A	TAB 4.8X0.8	TIN PLATED				2	6			
A	TAB 2.8X0.8	TIN PLATED				3	5			
A	TAB 2.8X0.8	TIN PLATED				3	4			
A	TAB 1.5X0.6	TIN PLATED	5	3						
A	TAB 1.5X0.6	TIN PLATED	9	2						
C	PIN HEADER code A	BLACK	1	1						

(C5) 1534046-1 wie gezeichnet
(code A) AS SHOWN

1:1

THIS DRAWING IS A CONTROLLED DOCUMENT.
DWN R. Dierkes 26NOV2007
CHK B. Leonhardt
APVD -

MASSSTAB: mm

TOLERANCES: UNLESS OTHERWISE SPECIFIED: ALL DIMENSIONS

PLC 1 ACC. TO
2 PLD ± DIN 10901-14
3 PLD ± CENTRIC TO
4 PLD ± NOMINAL DIM

ANGLES: SCHWELDELINIE
FINISH: SCHWARZ/FARBE

PRODUCT SPEC: TAB HEADER, ASSY. 32 POSN. Flachsteckerleiste, ZSB. 32pol.

APPLICATION SPEC: VERARBEITUNGSSPEZ.

SIZE: A1 100779
CAGE CODE: 1534046
DRAWING NO.: 1534046

RESTRICTED TO: NUR FUER -

CUSTOMER DRAWING /KUNDENZEICHNUNG SCALE: MASSSTAB 2:1 SHEET: 1 OF 1 REV: C5